

Worldwide Support and Distribution Network

Company Headquarters:

Phase Motion Control S.r.l.
Via Adamoli, 461
16141 - Genova, Italia
Ph: +39 010.835.161
Fx: +39 010.42067.36
e-mail: info@phase.eu
Web Site: www.phase.eu

China

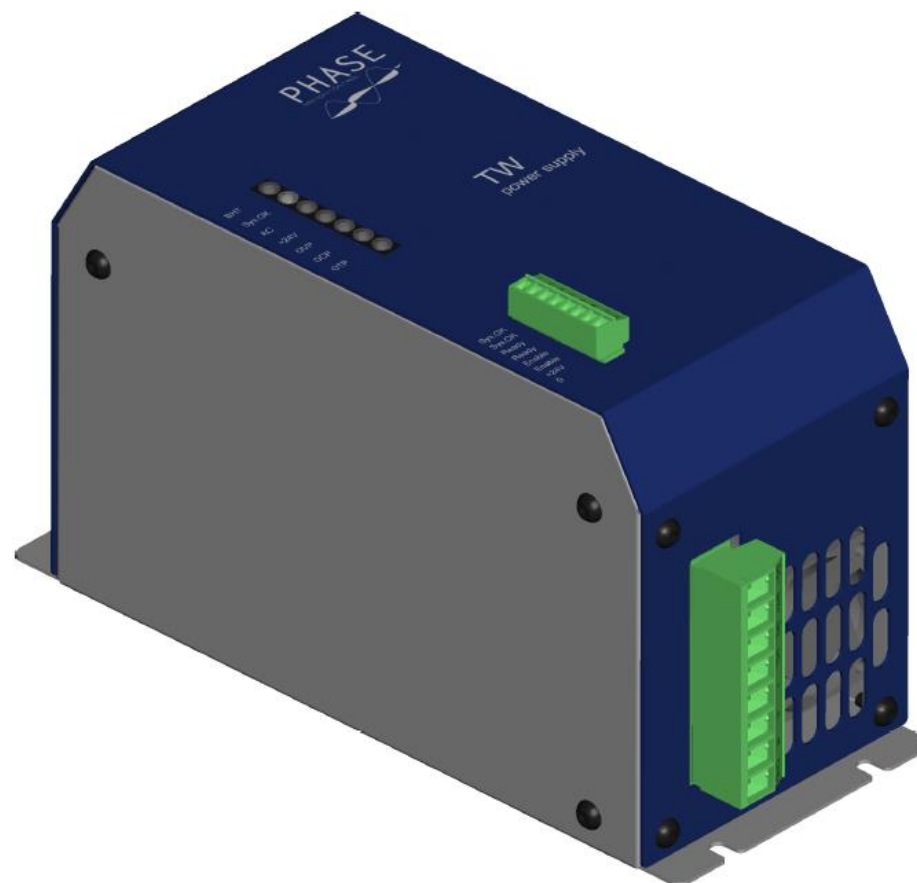
Phase Motion Control Ningbo Ltd
North of 2nd Binhai Road
Hangzhou Bay New Zone Ningbo China
Ningbo, 315336
China
Ph: 0086.574. 2345.9095
e-mail: info@phase.com.cn
Web Site: www.phase.com.cn

France

Phase Automation
20 avenue Félix Faure
69007 Lyon
Ph: + 33 4 72 72 94 90
Fx: + 33 4 78 58 86 36
e-mail: olivier.achille@phase.eu



Product Appearance



Main Features

- *Three phase 380Vac or Three phase 220Vac supply operation*
- *Power on relay output (DCBus Ready signal and System ready signal)*
- *External DCBus capacitors charge capability*
- *Automatic DCBus capacitor discharge when system disable (by braking resistor)*
- *Dynamic braking (external resistor required)*
- *Desaturation protection of braking IGBT*
- *Over voltage, over current and over temperature protection*
- *Monitor by Bluetooth*
- *Heat dissipation by a cooling fan*

世界各地支持和分销网络

公司总部

Phase Motion Control S.r.l.
Via Adamoli, 461
16141 - Genova, Italia
Phone: +39 010.835.161
Fax: +39 010.42067.36
E-mail: info@phase.eu
Web Site: www.phase.eu

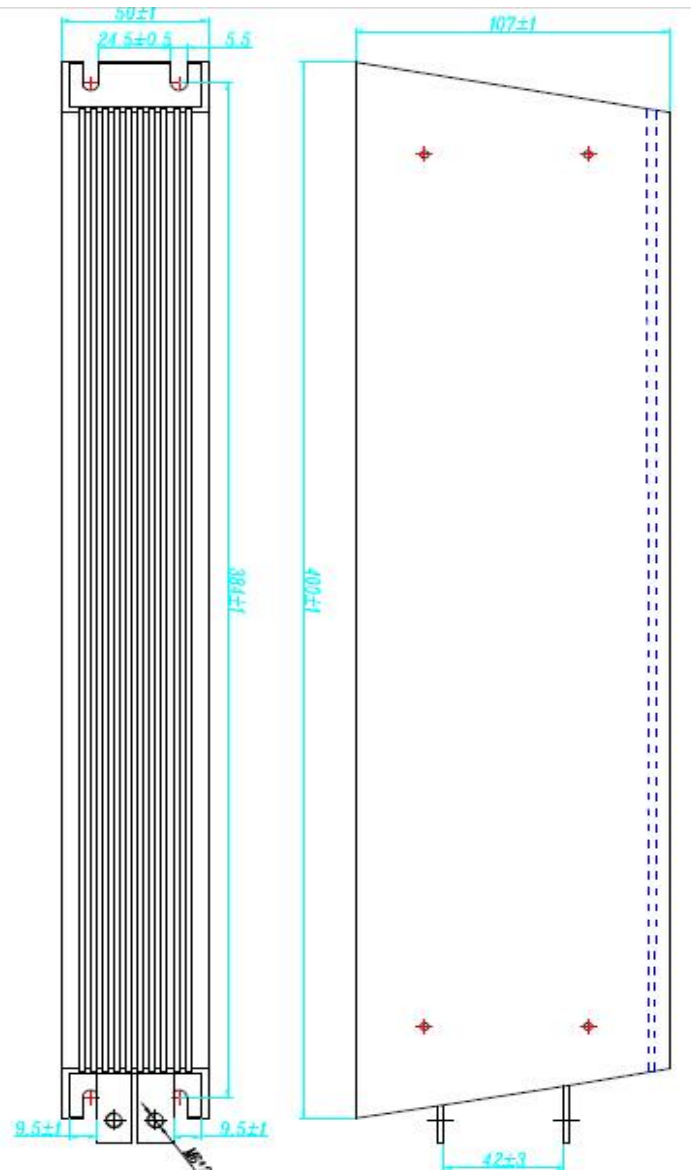
中国

宁波菲仕运动控制技术有限公司
浙江省宁波市杭州湾新区滨海二路 248 号
邮编: 315800
电话: 0086.574. 2345.9095
e-mail: info@phase.com.cn
公司官网: www.phase.com.cn

法国

Phase Automation
20 avenue Félix Faure
69007 Lyon
Ph: + 33 4 72 72 94 90
Fx: + 33 4 78 58 86 36
e-mail: olivier.achille@phase.eu

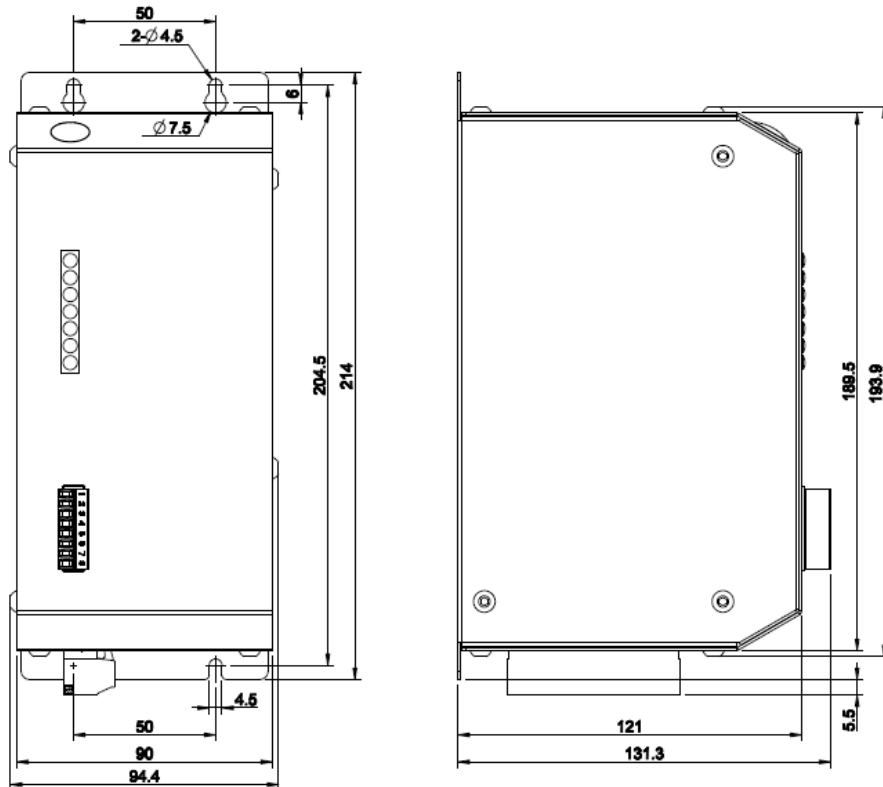




Technical Performance

	380Vac	220Vac
Main Power	3 phase	3 phase
Rated Output Voltage	537 Vdc	310Vdc
Rated Output Power	15KW	10KW
Peak Output Power	30KW	20KW
Overload Current	>27A	
Brake Voltage	850 Vdc	375 Vdc
Recommend Braking resistor	20 Ohm	
	1000W	
Auxiliary Power Supply	24 V, 0.5 A	
Max. Working Temperature	50 °C	

External Dimensions



Operating Instructions

1. According to the Connections, ensure correct wiring.
2. Power on Auxiliary power, LED "+24V (Yellow)" on. (*)
3. Power on Main power, LED "AC (Yellow)" on after a short blink .
(*)
4. Control "Enable (Contact Input) "CLOSED, DCBUS Enable, LED "Sys.OK (Green)" on, Power Supply is working.

! (*) Note: A right steps for Enable power: Auxiliary power ON → Main power ON → "Enable (Contact Input) "CLOSED.

A right steps for Disable power: "Enable (Contact Input) "OPEN → Main power OFF → Auxiliary power OFF.

Braking Resistor

Rate Power: 1000W

Rate Resistance: $20\Omega \pm 5\%$

External Dimensions:

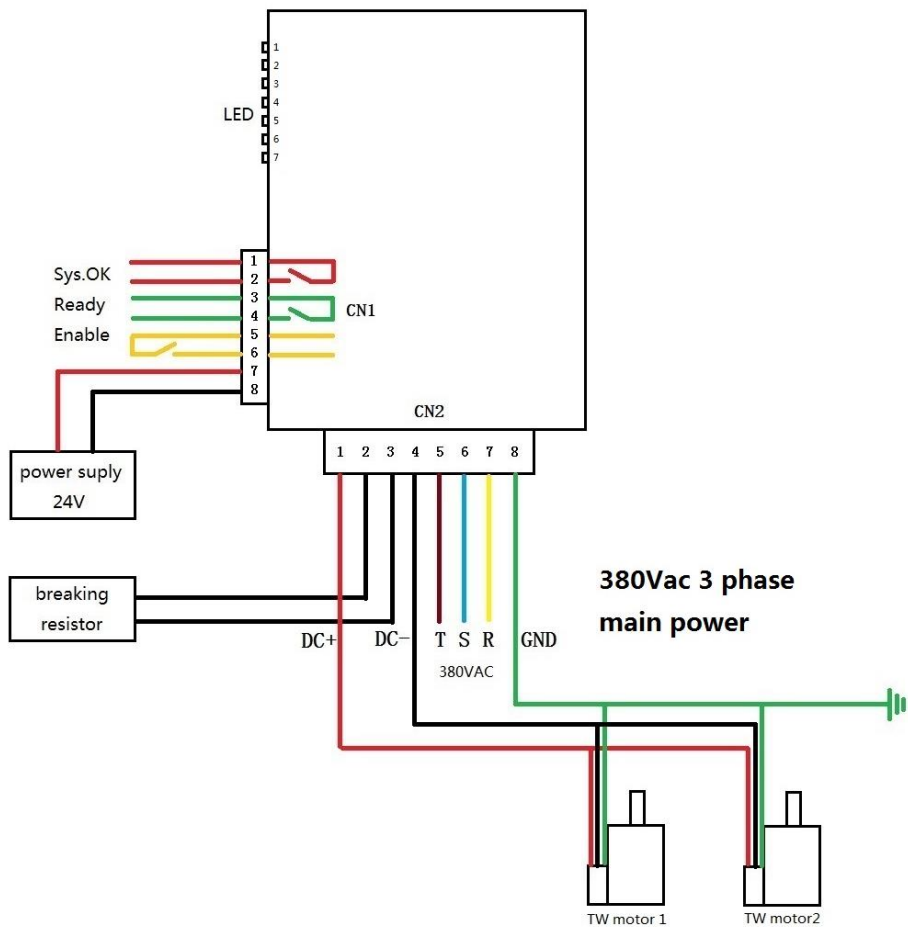
CN1		
NO.	name	description
1	Sys.OK	Contact Output1: CLOSED (Power OK)
2	Sys.OK	OPEN (Power not OK)
3	Ready	Contact Output2: CLOSED (System Ready)
4	Ready	OPEN (System not Ready, Active Alarms)
5	Enable	Contact Input: CLOSED (Enable PSU)
6	Enable	OPEN (Disable PSU)
7	+24 V	Auxiliary power supply Input positive
8	0	Auxiliary power supply Input negative

CN2		
NO.	name	description
1	DC +	TW power positive supply
2	BR+	External brake resistor connection
3	BR-	External brake resistor connection
4	DC-	TW power negative supply
5	T	Three phase input
6	S	Three phase input
7	R	Three phase input
8	GND	Ground connection

Connections

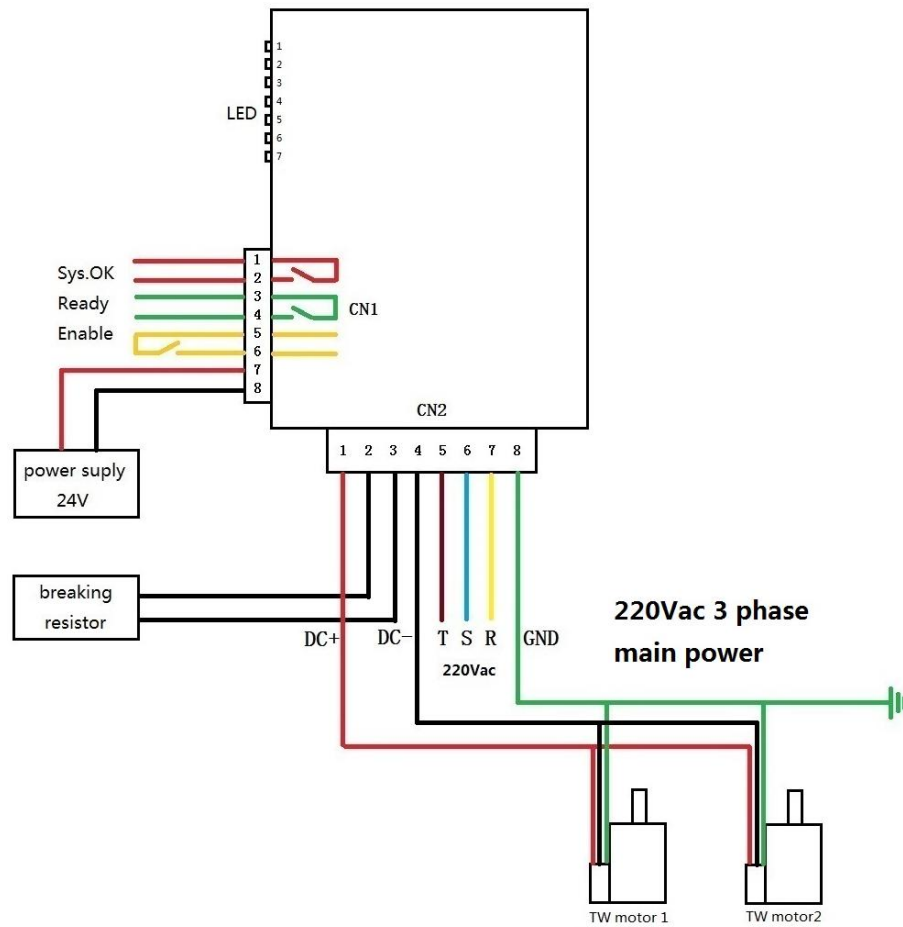
Motori Tw

Alimentatore 220V / 400V



Motori Tw

Alimentatore 220V / 400V



LED and Terminal Blocks

LED				
NO.	name	off	blink	on
1	Bluetooth (Blue)	Bluetooth is Abnormal	Bluetooth is Ready	Bluetooth is Working
2	Sys.OK (Green)	No DCBUS Output	DCBUS Output preparing	DCBUS Enable
3	AC (Yellow)	Main Power Off	Main Power Abnormal	Main Power Normal
4	+24V (Yellow)	Auxiliary Power Off	Auxiliary Power too low	Auxiliary Power Normal
5(*1)	OVP (Red)	DCBUS Normal	Brake working	Over Voltage Alarm
6(*2)	OCP (Red)	Current Normal	Overload Current	Over Current Alarm
7(*3)	OTP (Red)	Temperature Normal	Fan Working	Temperature Alarm

**Note1: Main power is 220Vac: DCBUS > 375Vdc, brake on; DCBUS < 350Vdc, brake off; DCBUS > 425Vdc, Over Voltage Alarm. Main power is 380Vac: DCBUS > 800Vdc, brake on;*

DCBUS < 750Vdc, brake off; DCBUS > 850Vdc, Over Voltage Alarm.

**Note2: Main power is 220Vac 3phase: Current Value >=100A, Over Current Alarm; Current Value >27A, Overload operation. Main power is 380Vac 3phase: Current Value >=56A, Over Current Alarm; Current Value >27A, Overload operation.*

**Note3: Temperature >= 90 °C, Over Temperature Alarm;*

Temperature >= 45 °C, fan run; Temperature < 40 °C, fan stop.