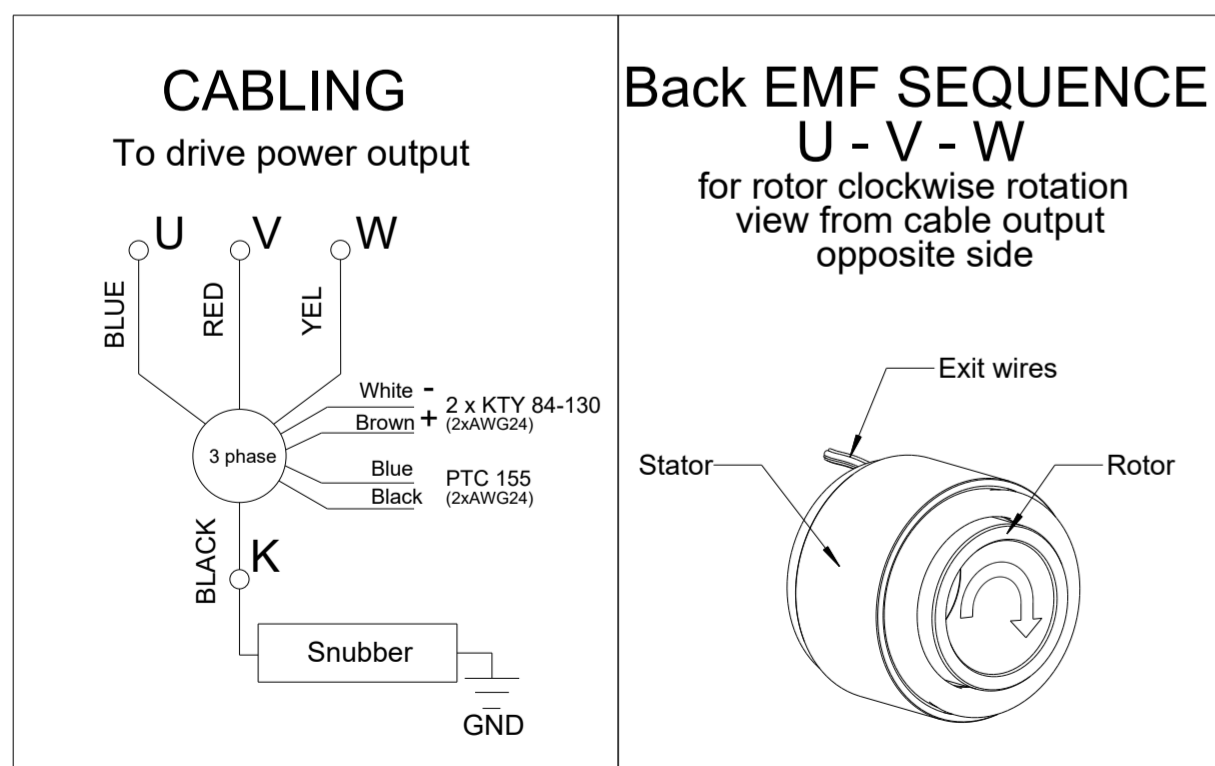


SCALE 1:5

**NOTE:** (\*) These dimension can be increased for low polarity motors, and must be confirmed together with detailed datasheet definition.  
 (\*\*) Dimensions dependent on the motor winding configuration.  
 General tolerance: geometrical tolerance (ISO 2768-2) class K linear tolerance (ISO 2768-2) class M.  
 (\*\*\*) Suggested position for hydraulic connectors.  
 (\*\*\*\*) To calculate the minimum number of screws, use follows formulas:  
 X (N° Stator screw)= Stack lenght \* 0.038  
 Y (N° Rotor crews)= Stack lenght \* 0.043  
 Calculation for screws property class 8.8  
 The number of screws can be reduced using higher property classes.



Wires Data	
Type Motor	Squid Torque Motor
Power Wires (U,V,W)	Radox (**) mmq
Neutral Wire (K)	1mmq
Sensor Wires	AWG24
Lenght wires	1000 mm

Type: Squid Torque Motor  
TK260-xxx-yyy

