

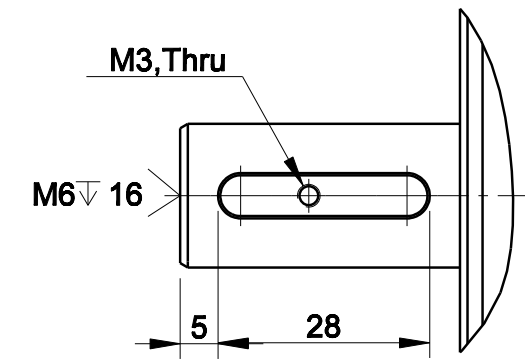
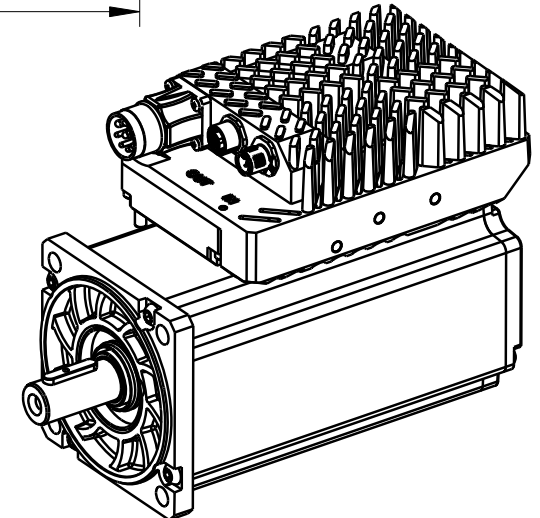
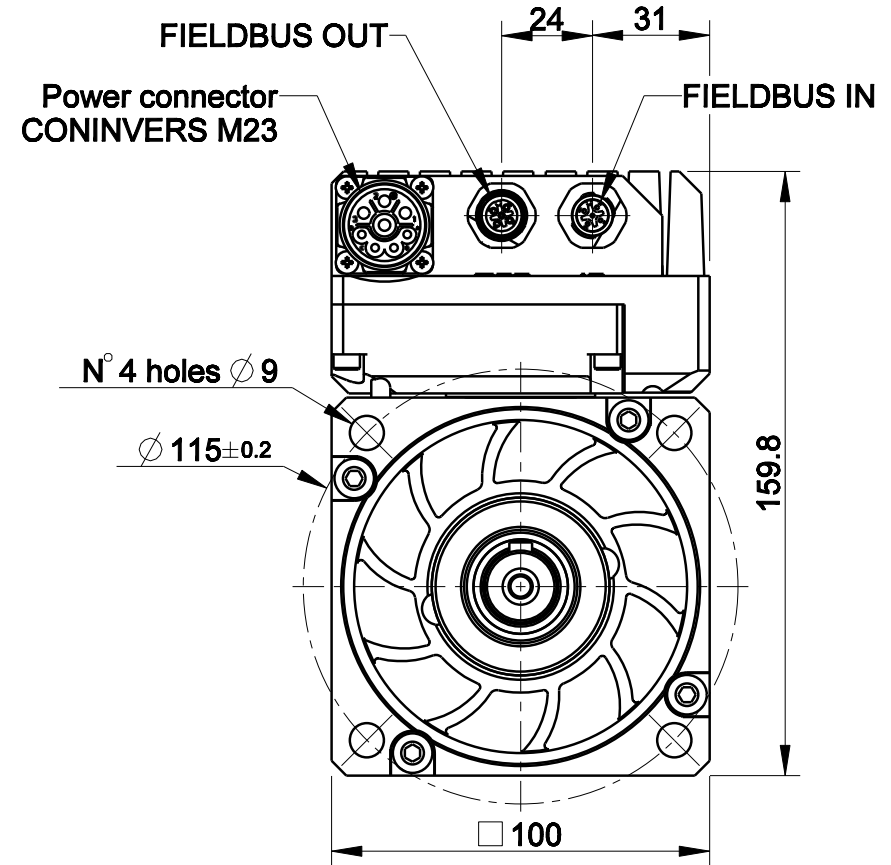
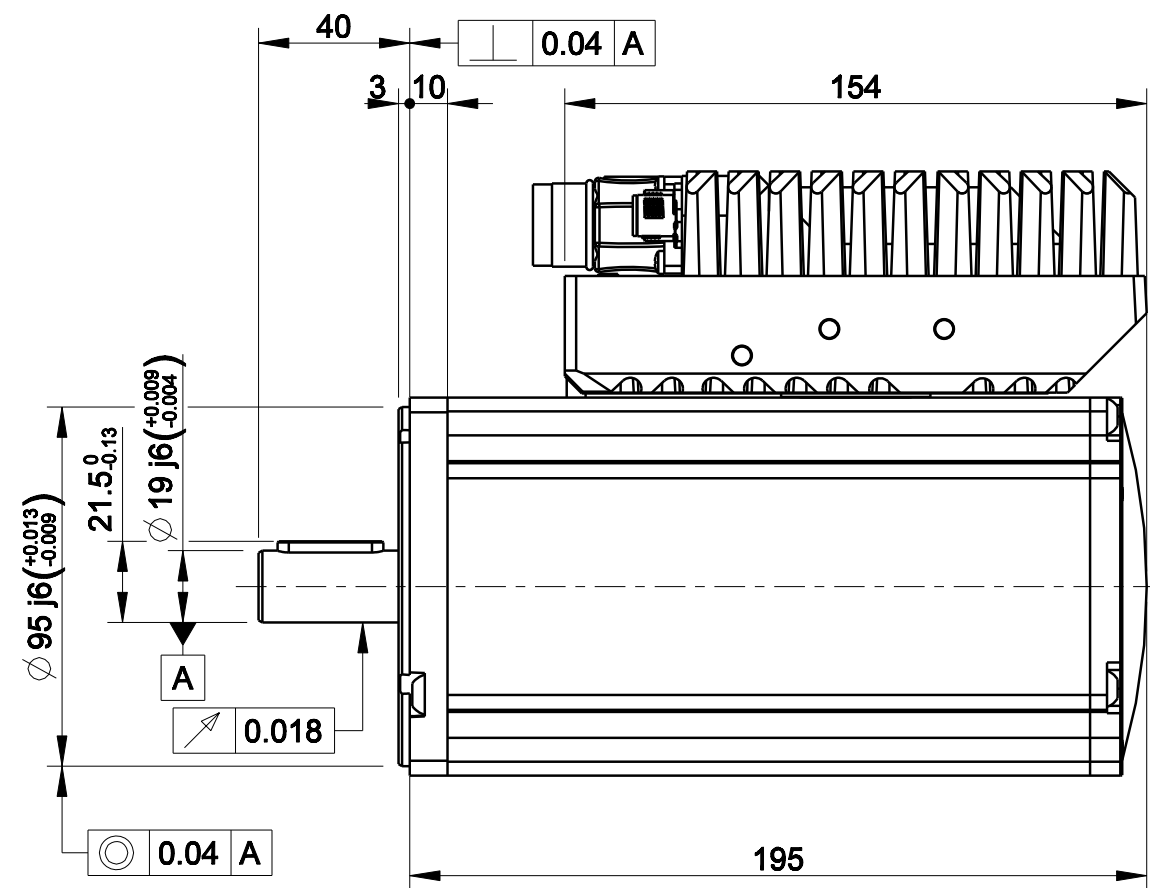
1

2

3

4

| | | | |
|---------------|-------------------|------------|------------|
| 版本 Rev No. | 描述 Description | 日期 Date | 姓名 Name |
| | | | |
| | | | |



| | | | |
|-------------|--|----------------|---|
| | Power Connector M23 CONINVERS 8 pins SF-7EP1N8AWA00 | | FIELD BUS - Connectors |
| Male | | Female | |
| Pins | Description | PIN OUT | CANOPEN Version M12 Codification A |
| 1 | DC + | 1 | Male |
| 2 | GND | | Female |
| 3 | DC - | 1 | Shield |
| 4 | 0V SUPPLY | 2 | +24V Supply |
| B | Aux in | 3 | CAN GND/ 0V Supply |
| C | +24V SUPPLY | 4 | CAN-H |
| A | +24V Safe H | 5 | CAN-L |
| D | +24V Safe L | | |

| | |
|---|---|
| 材质 Material | 项目 Project-Prod.item/Instrument |
| 处理 Treatment | TW05A03A.40.4M00PK00000000 |
| 几何公差 GB/T1184 (ISO 2768-2) Geometrical tolerance | 描述 Description |
| 未注公差 GB/T1804 (ISO 2768-2) Linear tolerance | MOTOR ASSEMBLY |
| 角度公差 Angular tolerance | 电机总装 |
| 0.5 +3 | 1x45° |
| >3+ 6 | R0,5 |
| >6+ 30 | |
| >30+ 120 | |
| >120 +400 | |
| >400+ 1000 | |
| >1000 +2000 | |
| >2000 +4000 | |
| ±0.1 | |
| ±0.1 | |
| ±0.2 | |
| ±0.3 | |
| ±0.5 | |
| ±0.8 | |
| ±1.2 | |
| ±2 | |
| 年,月,日 Date | 名字 Name |
| 设计 Designed | PHASE MOTION CONTROL NINGBO Ltd. 宁波菲仕电机技术有限公司 |
| 绘图 Drawn | |
| 审核 Checked | |
| 批准 Approved | |
| 图号 Drawing No. | 版本 Rev |
| 69217N-3-A-3 | A |
| 重量 Kg Mass | 数量 Qty |
| 5.5 | 1/1 |
| 比例 Scale | 页码 Sheet |
| 1:1 | 1/1 |

1

2

3

4