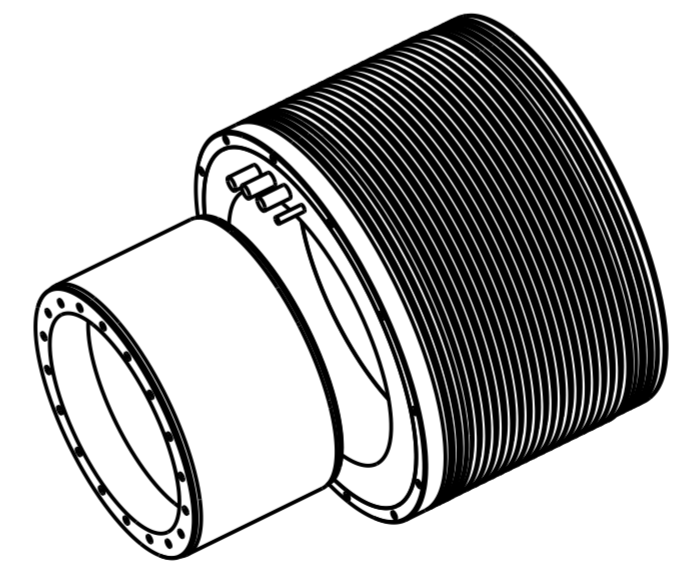


Wires Data	
Type Motor	Squid Torque Motor
Power Wires (U,V,W)	Radox (**)
Neutral Wire (K)	1mmq
Sensor Wires	AWG24
Lenght wires	1000 mm



SCALE 1:5

**NOTE:** (\*) These dimension can be increased for low polarity motors, and must be confirmed together with detailed datasheet definition.  
 (\*\*) Dimensions dependent on the motor winding configuration. General tolerance: geometrical tolerance (ISO 2768-2) class K linear tolerance (ISO 2768-2) class M.  
 (\*\*\*) Suggested position for hydraulic connectors.  
 (\*\*\*\*) To calculate the minimum number of screws, use follows formulas:  
 X (N° Stator screw)= Stack lenght \* 0.089  
 Y (N° Rotor crews)= Stack lenght \* 0.138  
 Calculation for screws property class 8.8  
 The number of screws can be reduced using higher property classes.

Type: Squid Torque Motor

TK270-xxx-yyy

